



TECHNICAL DATASHEET

TAB POLAR P92H

ORDER INFORMATION

TAB ID
246292

Short Code
P92H

DIN Marking
59249 SMF

EAN Code
3838807033566

Quantity per EU/CNT pallet
42/60 pcs

TECHNOLOGY

Primary Function
Engine Start

Battery Technology
Flooded

Grid Type (pos/neg)
Expanded/Concasted

Grid Alloy (pos/neg)
Ca/Ca

Separator
PE

Electrolyte (g/cm³)
1,28

TECHNICAL INFORMATION

Voltage (V)
12

Capacity C20 (Ah)
92

CCA -18°C EN (A)
800

RC (min)
165

LxWxH (mm)
315x175x190

Total Weight (kg)
20.0

BOX DESIGN

Box Type
L4

Cover Type
SMF

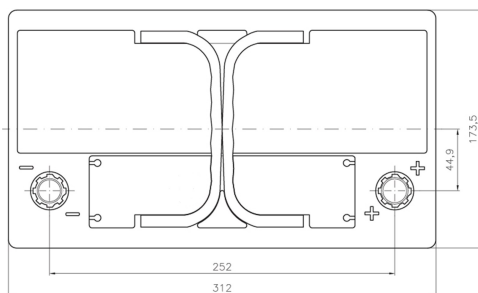
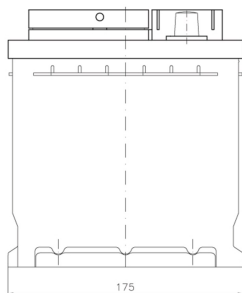
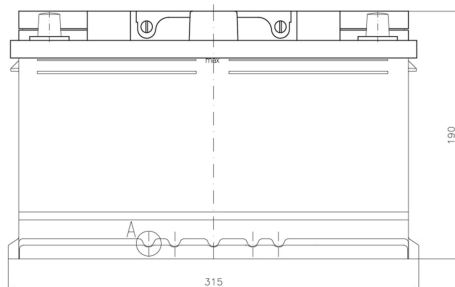
Colour
Black

Layout
0

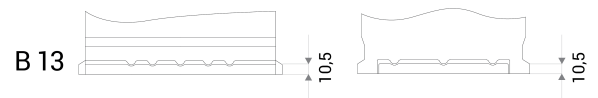
BHD
B13

Terminal
1

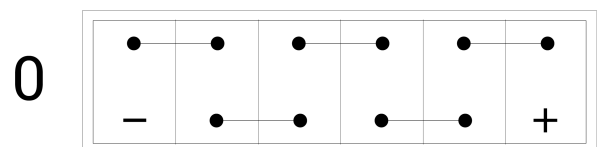
DRAWING



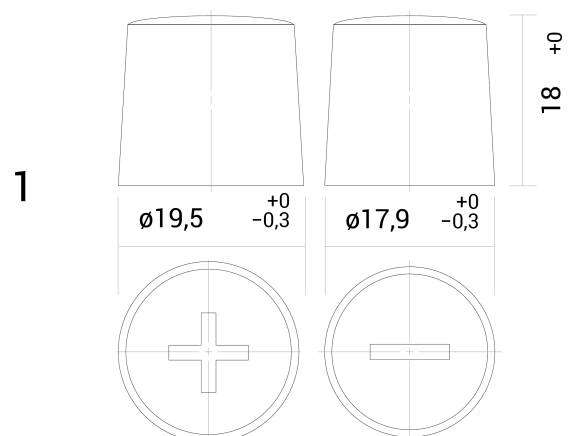
BHD



LAYOUT



TERMINAL



TECHNICAL DATASHEET

TAB POLAR P92H

TAB d.d, Polena 6, SI-2392 Mežica, Slovenia, www.tab.si